

Sensor-switched LED floodlight

XLED curved S

V2 Anthracite

EAN 4007841 012076

Article number 012076



LED

3000 K



Infrarot-Sensor
160°



Max. 8 m



IP44



2 - 1000 Lux



2 Sek - 70 Min



Lichtquelle nicht
austauschbar



Betriebsgerät nicht
austauschbar



Ideal 2 m

Function description

Illuminating compact model. Sensor LED floodlight XLED curved S with 9,3 W, compact and discreet lighting solution for building entrances, pathways and co., attractive luminous efficiency (862 lm) requiring very little energy, sensor reach of up to 8 m, tilting range of +30°.

Technical specifications

Dimensions (L x W x H)	120 x 160 x 107 mm	Electronic scalability	No
With lamp	Yes, STEINEL LED system	Mechanical scalability	No
With motion detector	Yes	Photo-cell controller	Yes
Manufacturer's Warranty	3 years	Luminous flux total product	862 lm
Version	Anthracite	Measured luminous flux (360°)	862 lm
PU1, EAN	4007841012076	Total product efficiency	93 lm/W
Application, place	Outdoors	Colour temperature	3000 K
Application, room	outdoors, all round the building, terrace / balcony	Lamp	LED cannot be replaced
Installation site	wall	Service life LED L70B50 (25°)	> 60000 h
Installation	Wall, Surface wiring	Drop in luminous flux in accordance with LM80	L70B10
Impact resistance	IK03	LED cooling system	Passive Thermo Control
IP-rating	IP44	Soft light start	No
Protection class	II	Twilight setting	2 – 1000 lx
Ambient temperature	-20 – 40 °C	Time setting	2 s – 70 Min.
Housing material	Plastic	Basic light level function	No
Cover material	Plastic, opal	Twilight setting TEACH	No
Mains power supply	220 – 240 V / 50 – 60 Hz	Interconnection	No

<https://www.steinell.de>

Subject to technical modifications

04.2024 Page 1 from 2

Sensor-switched LED floodlight

XLED curved S

V2 Anthracite

EAN 4007841 012076

Article number 012076

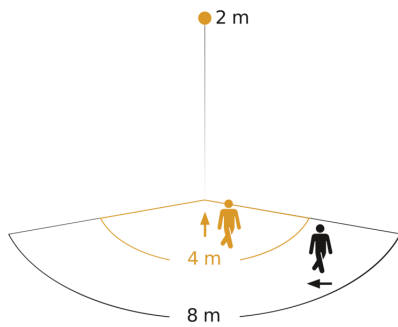


Technical specifications

Power consumption	0,5 W
Mounting height max.	4,00 m
Sneak-by guard	Yes
Capability of masking out individual segments	No

Output	9,3 W
Colour Rendering Index CRI	= 82
Optimum mounting height	2 m
Detection angle	160 °

Detection Zone

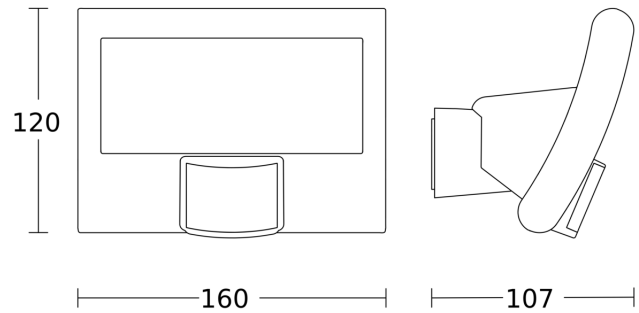


Possible mounting height: 1,80 m - 4,00 m

Orange: radial

Black: tangential

Dimension Drawing



Circuit diagram 1

